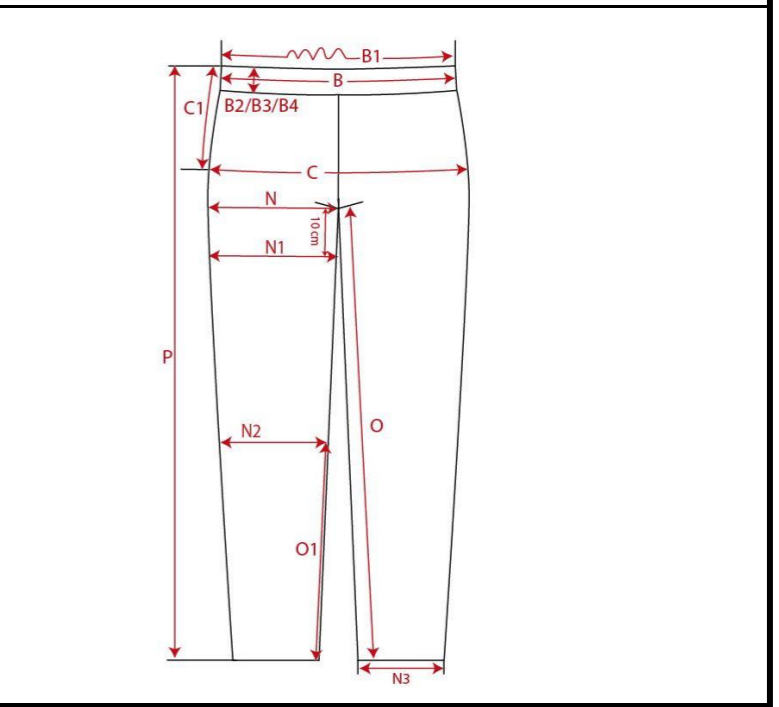


		STYLE		TB1215										MEASUREMENT CHART TROUSERS / PANTS/ SHORTS			
		COLLECTION		UC		SEASON		SS16		SUPPLIER NO.		72608					
		GENDER		LADIES		DATE		24-11-2015		SIGNATURE		AM					

Fertigmaße in cm für Größe measurements in cm for size	CODE	TOLERANCE (+/-)	26	IS	27	IS	28	IS	29	IS	30	IS	XXL	IS	3XL	IS	4XL	IS	5XL	IS	6XL	IS	
1/2 waistband width	B	1	30.50		33.00		35.50		38.00		40.50												
1/2 hip width	C	1	36.50		39.00		41.50		44.00		46.50												
side length (incl. waistband)	P	1	95.50		97.50		99.50		101.50		103.50												

REMARK	
---------------	--



SIZE CHART