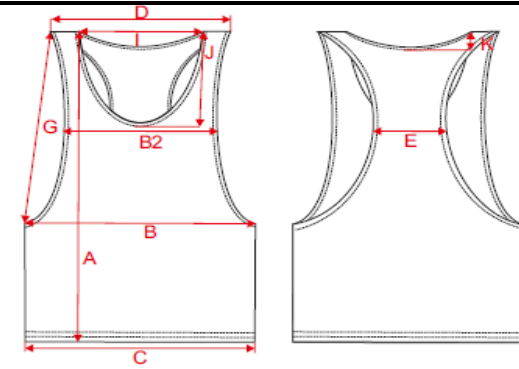


**SIZE CHART / Größentabelle**

**TB456 - Ladies Loose Burnout Tank**

	Description		XS	S	M	L	XL
A	Length	cm	68	70	72	74	76
B	1/2 Chest Width	cm	42	44	46	48	50
B2	1/2 Chest Width (1/2 Armhole)	cm	25	26	27	28	29
C	1/2 Hem Width	cm	43	45	47	49	51
D	1/2 Shoulder Width	cm	26	27.5	29	30.5	32
E	back mid-armhole	cm	14	14.5	15	15.5	16
F		cm					
G	1/2 Armhole Straight (seam to seam)	cm	38	39	40	41	42
H		cm					
I	Neckhole (excl. binding)	cm	20	21	22	23	24
J	Front Neckdrop (HPS to seam)	cm	18.5	19	19.5	20	20.5
K	Back Neckdrop (HPS to seam)	cm	3	3	3.5	3.5	4
L	Hem Height	cm					
M	Neckcuff Height	cm					
N		cm					
O		cm					
P		cm					
Q		cm					
R		cm					
S		cm					



<b>Fitting</b>	Regular Fit
<b>Article Description</b>	Ladies Loose Tank
<b>Fabric</b>	65% polyester/35% cotton, Jersey, burnout garment wash, ca. 130 gsm
<b>Colors</b>	darkgrey, denimblue, olive, yellow