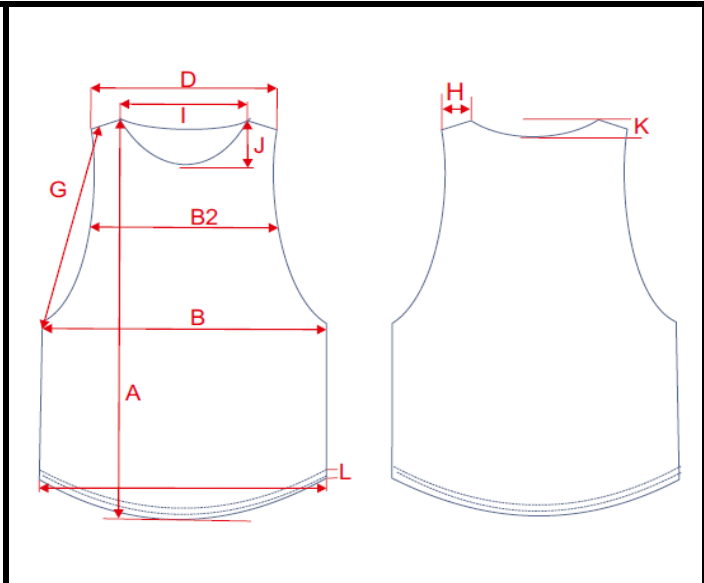


SIZE CHART / Größentabelle

TB964 - Long Shaped Open Edge Loose Tank

Description	S	M	L	XL	XXL
A Length	83	85	87	89	91
B 1/2 Chest Width	49.5	52	54.5	57	59.5
B2 1/2 Chest Width (1/2 Armhole)	33.5	36	38.5	41	43.5
C 1/2 Hem Width	53.5	56	58.5	61	63.5
D 1/2 Shoulder Width	36.5	39	41.5	44	46.5
E	cm				
F	cm				
G 1/2 Armhole Straight	32	33	34	35	36
H Shoulder Strap Width	5	5.5	6	6.5	7
I Neckhole	28	29	30	31	32
J Front Neckdrop (HPS to edge)	20	21	22	23	24
K Back Neckdrop (HPS to edge)	8.5	9	9.5	10	10.5
L Hem Height	2.5	2.5	2.5	2.5	2.5



Fitting	Regular Fit
Article Description	Loose Tank, long cut, shaped hem, open edges at the armholes and neckhole
Fabric	140 GSM 100% Cotton
Colors	Black, White, Grey